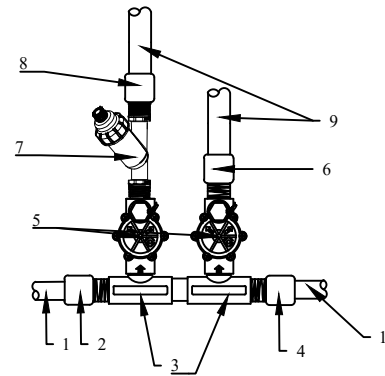


DETALIU MONTAJ NOD 1

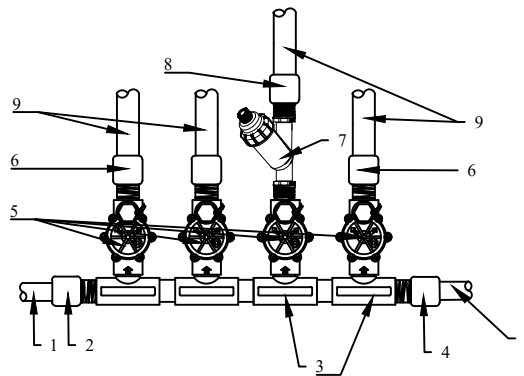
CAMIN ELECTROVANE



- 1 Conducta HDPE Dn 40mm
- 2 Racord compresune Dn 40mm x 1"Fe
- 3 MTT100 - Teu 1" FexFexFi
- 4 Racord compresune Dn 40mm x 1"Fi
- 5 Electrovana 100DV-24V 1"Fi
- 6 Racord compresune Dn 32mm x 1"Fe
- 7 Filtru Y PRF 100 RBY 1"Fe
- 8 Racord compresune Dn 32mm x 1"Fi
- 9 Conducta HDPE Dn 32mm

DETALIU MONTAJ NOD 2

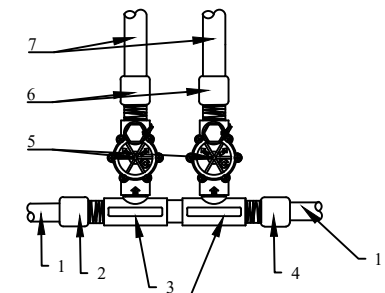
CAMIN ELECTROVANE



- 1 Conducta HDPE Dn 40mm
- 2 Racord compresune Dn 40mm x 1"Fe
- 3 MTT100 - Teu 1" FexFexFi
- 4 Racord compresune Dn 40mm x 1"Fi
- 5 Electrovana 100DV-24V 1"Fi
- 6 Racord compresune Dn 32mm x 1"Fe
- 7 Filtru Y PRF 100 RBY 1"Fe
- 8 Racord compresune Dn 32mm x 1"Fi
- 9 Conducta HDPE Dn 32mm

DETALIU MONTAJ NOD 3

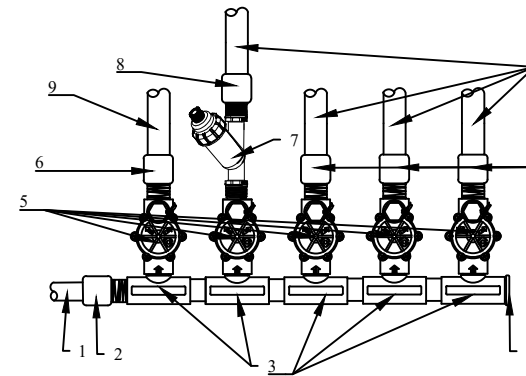
CAMIN ELECTROVANE



- 1 Conducta HDPE Dn 40mm
- 2 Racord compresune Dn 40mm x 1"Fe
- 3 MTT100 - Teu 1" FexFexFi
- 4 Racord compresune Dn 40mm x 1"Fi
- 5 Electrovana 100DV-24V 1"Fi
- 6 Racord compresune Dn 32mm x 1"Fe
- 7 Conducta HDPE Dn 32mm

DETALIU MONTAJ NOD 4

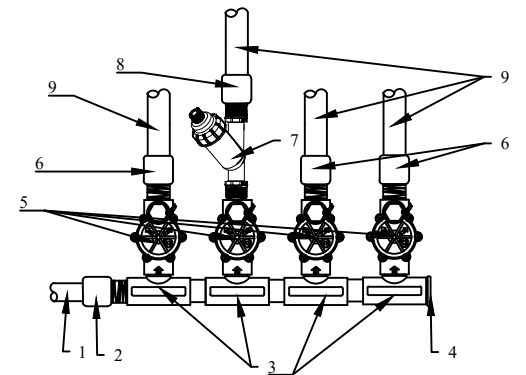
CAMIN ELECTROVANE



- 1 Conducta HDPE Dn 40mm
- 2 Racord compresune Dn 40mm x 1"Fe
- 3 MTT100 - Teu 1" FexFexFi
- 4 Dop 1"Fi
- 5 Electrovana 100DV-24V 1"Fi
- 6 Racord compresune Dn 32mm x 1"Fe
- 7 Filtru Y PRF 100 RBY 1"Fe
- 8 Racord compresune Dn 32mm x 1"Fi
- 9 Conducta HDPE Dn 32mm

DETALIU MONTAJ NOD 5

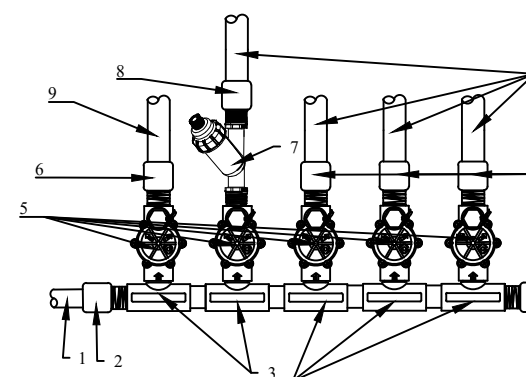
CAMIN ELECTROVANE



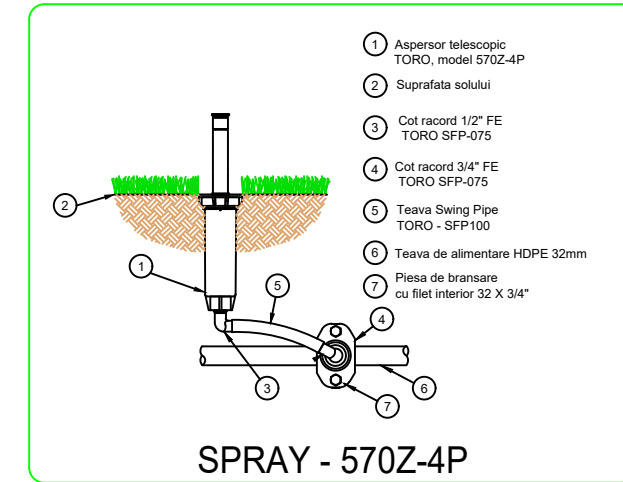
- 1 Conducta HDPE Dn 40mm
- 2 Racord compresune Dn 40mm x 1"Fe
- 3 MTT100 - Teu 1" FexFexFi
- 4 Dop 1"Fi
- 5 Electrovana 100DV-24V 1"Fi
- 6 Racord compresune Dn 32mm x 1"Fe
- 7 Filtru Y PRF 100 RBY 1"Fe
- 8 Racord compresune Dn 32mm x 1"Fi
- 9 Conducta HDPE Dn 32mm

DETALIU MONTAJ NOD 6

CAMIN ELECTROVANE

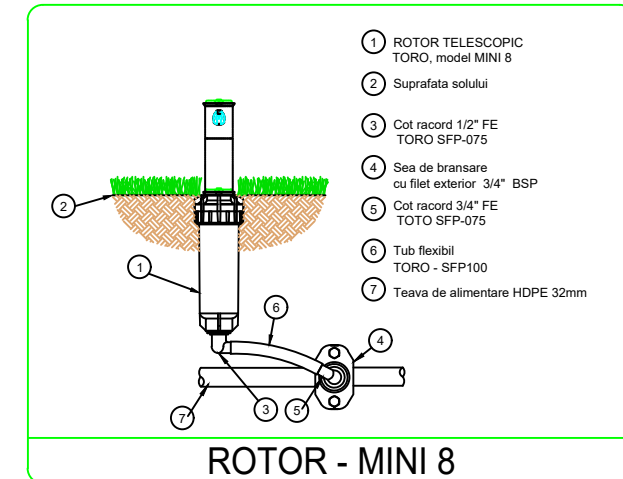


- 1 Conducta HDPE Dn 40mm
- 2 Racord compresune Dn 40mm x 1"Fe
- 3 MTT100 - Teu 1" FexFexFi
- 4 Racord compresune Dn 40mm x 1"Fi
- 5 Electrovana 100DV-24V 1"Fi
- 6 Racord compresune Dn 32mm x 1"Fe
- 7 Filtru Y PRF 100 RBY 1"Fe
- 8 Racord compresune Dn 32mm x 1"Fi
- 9 Conducta HDPE Dn 32mm



- 1 Aspersor telescopic TORO, model 570Z-4P
- 2 Suprafata solului
- 3 Cot racord 1/2" FE TORO SFP-075
- 4 Cot racord 3/4" FE TORO SFP-075
- 5 Teava Swing Pipe TORO - SFP100
- 6 Teava de alimentare HDPE 32mm
- 7 Piesa de bransare cu filet interior 3/2 X 3/4"

SPRAY - 570Z-4P



- 1 ROTOR TELESCOPIC TORO, model MINI 8
- 2 Suprafata solului
- 3 Cot racord 1/2" FE TORO SFP-075
- 4 Sea de bransare cu filet exterior 3/4" BSP
- 5 Cot racord 3/4" FE TOTO SFP-075
- 6 Tub flexibil TORO - SFP100
- 7 Teava de alimentare HDPE 32mm

ROTOR - MINI 8

Future Home Solutions S.R.L
 Com.Mădăraş,Nr.579
 CUI: 42508145
 Tel: 0751340028
 balintvsolt@gmail.com

Proiectant general: CONE LANDSCAPE STUDIO SRL

Beneficiar:
 PRIMARIA MUNICIPIULUI SFANTU GHEORGHE

Proiect nr.
 08/2023

Titlu proiect:
 AMENAJARE LOCURI DE JOACA -
 STR. LACRAMIOAREI

Faza:
 D.T.A.C.+
 P.T.

Amplasament:
 jud. Covasna, mun. Sfantu Gheorghe, str. Lacramioarei

Plansa nr.
 AC-08

Specificatie	Nume	Semnatura	Scara:
Sef proiect	Arh.peis. Szabo Botond		1:200
Proiectat	Ing. Bálint Zsolt		Data 2023
Desenat	Ing. Bálint Zsolt		

Titlu plansei: DETALII DE INSTALARE
 SISTEM DE IRIGATII